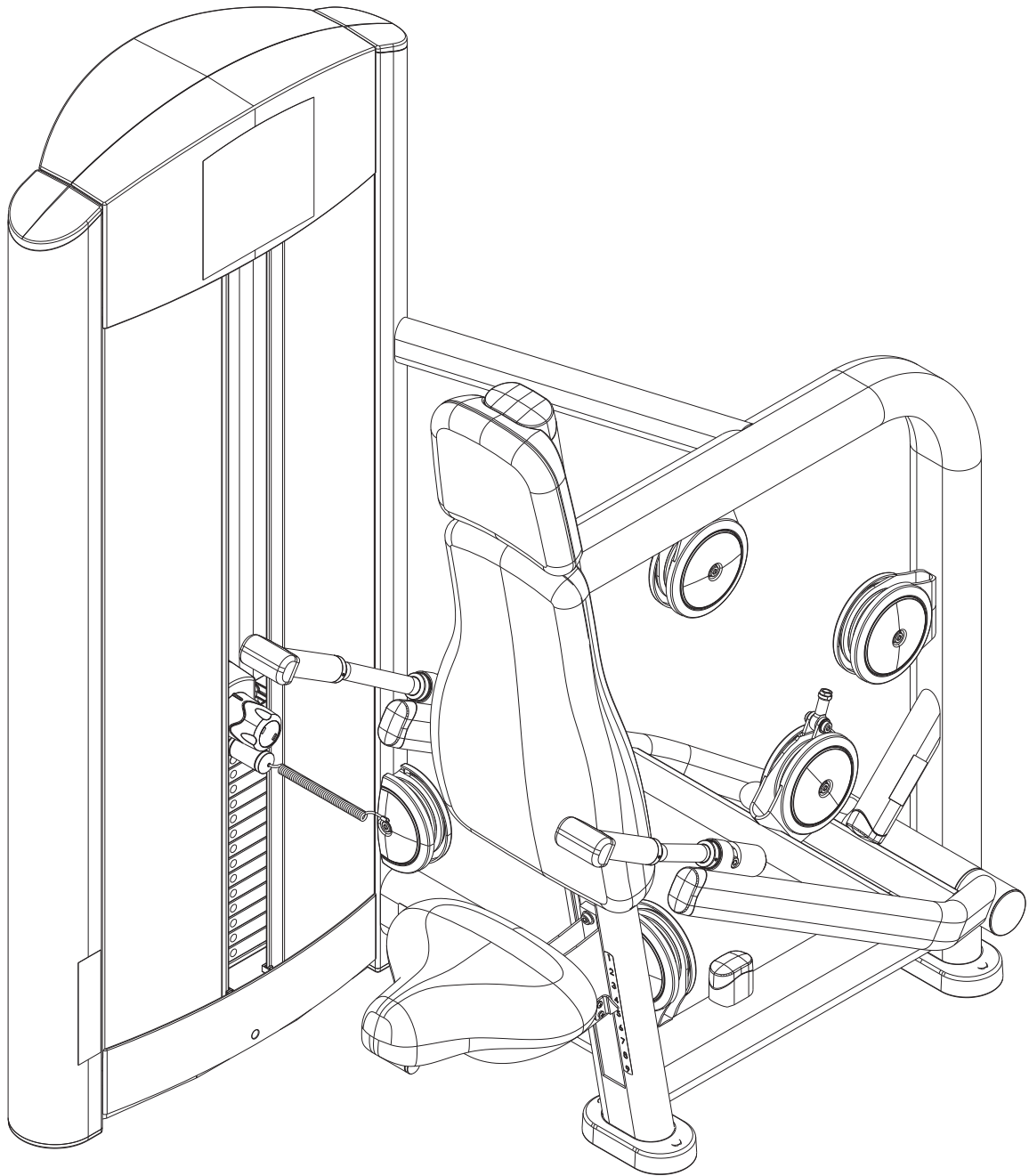




SIGNATURE SERIES
FZTP TRICEPS PRESS



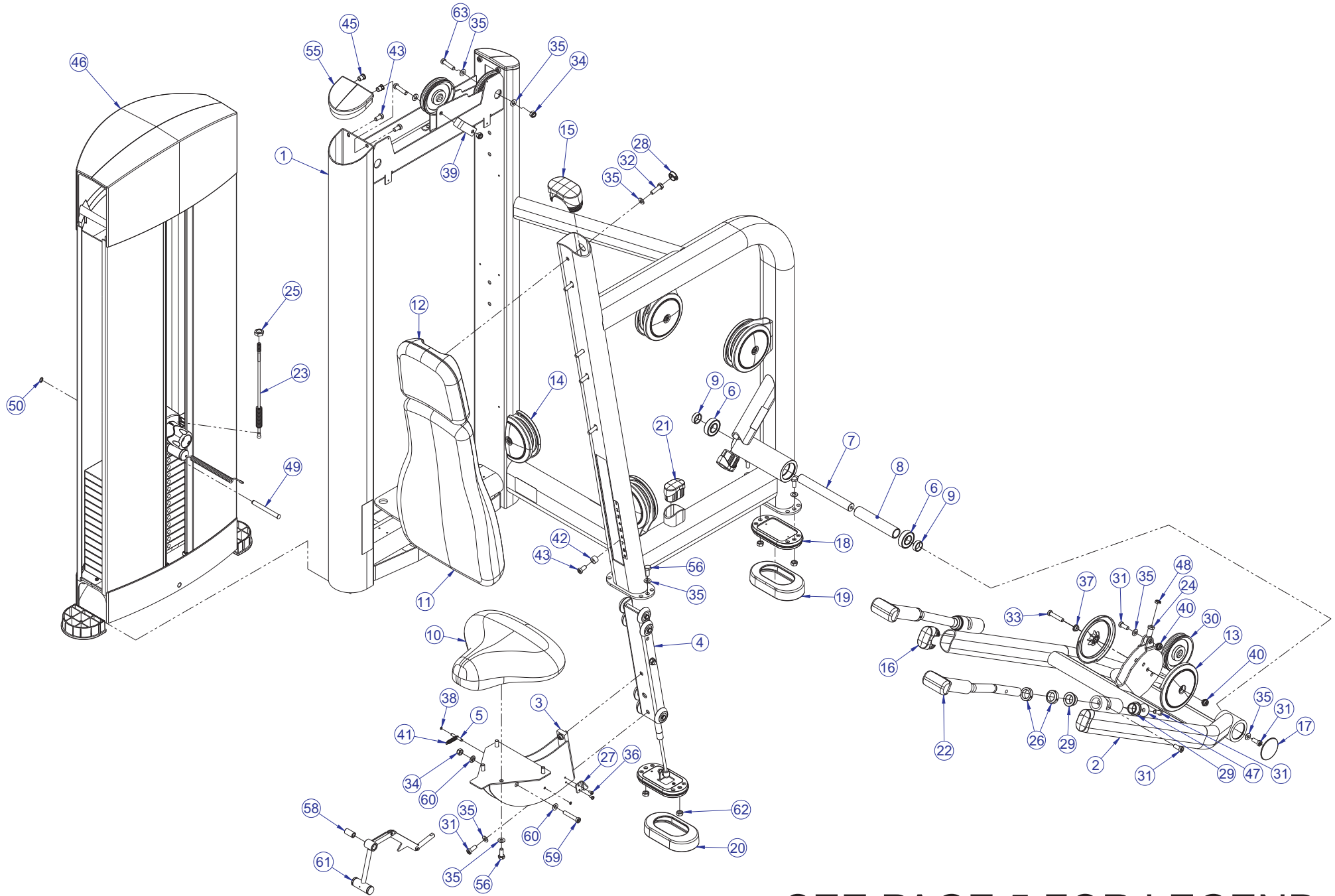
Customer Support Services
PARTS MANUAL

FZTP TRICEPS PRESS

CONTENTS

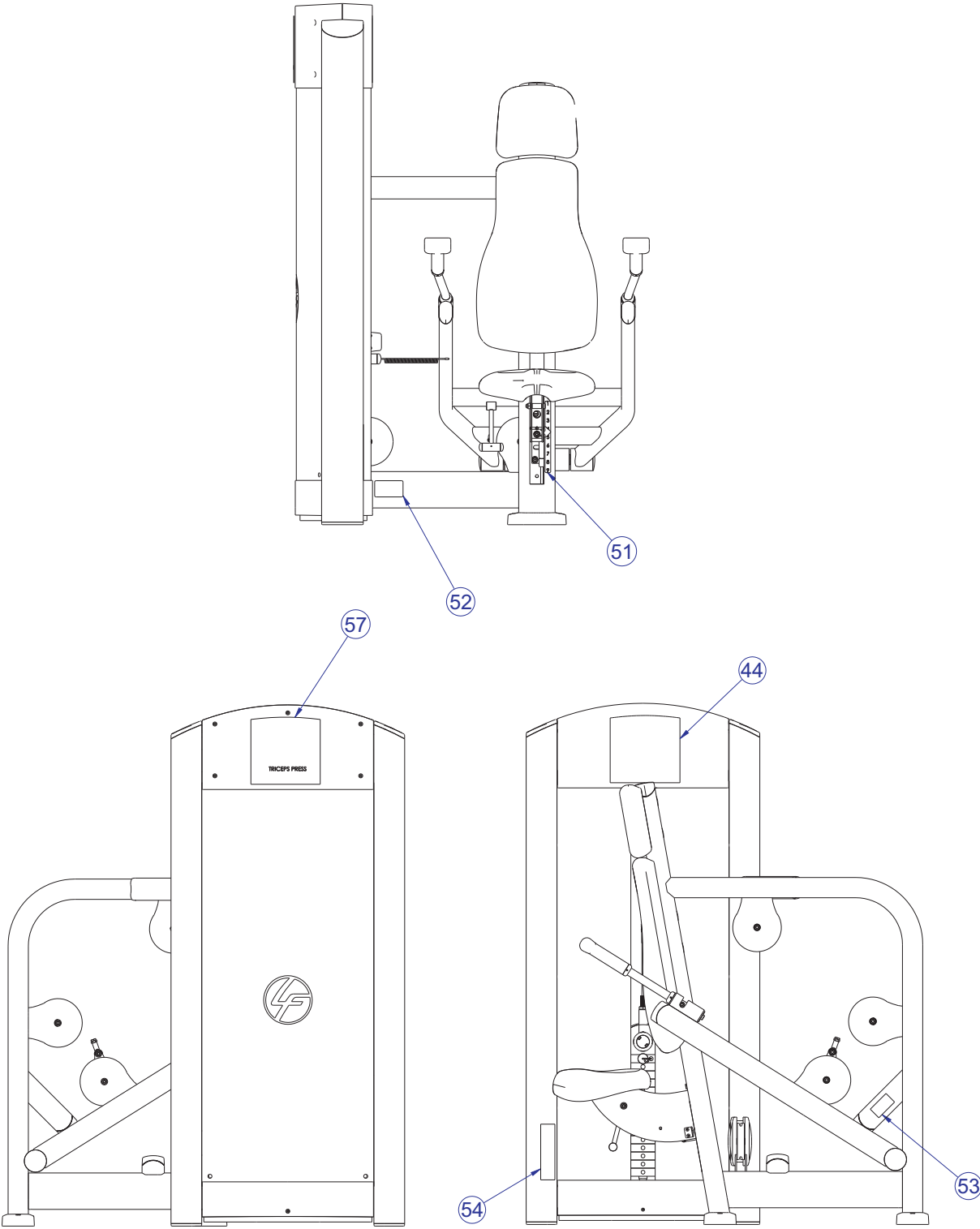
	PAGE
COMPONENT ASSEMBLY	3
COMPONENT ASSEMBLY II	4
COMPONENT ASSEMBLY LEGEND	5
SEAT CARRIAGE ASSEMBLY	6
SEAT CARRIAGE ASSEMBLY LEGEND	7
ADJUSTER HANDLE ASSEMBLY	8
MID-14 TOWER ASSEMBLY	9
PLASTIC TOWER ASSEMBLY	10
MID-14 WEIGHT STACK ASSEMBLY	11
5 LB. INCREMENT WEIGHT ASSEMBLY	12
10 LB. INCREMENT WEIGHT ASSEMBLY	13
15 LB. INCREMENT WEIGHT ASSEMBLY	14
HEAD PLATE ASSEMBLY	15
HEAD PLATE ASSEMBLY LEGEND	16
IMAGE	17

FZTP TRICEPS PRESS COMPONENT ASSEMBLY



SEE PAGE 5 FOR LEGEND

FZTP TRICEPS PRESS COMPONENT ASSEMBLY II

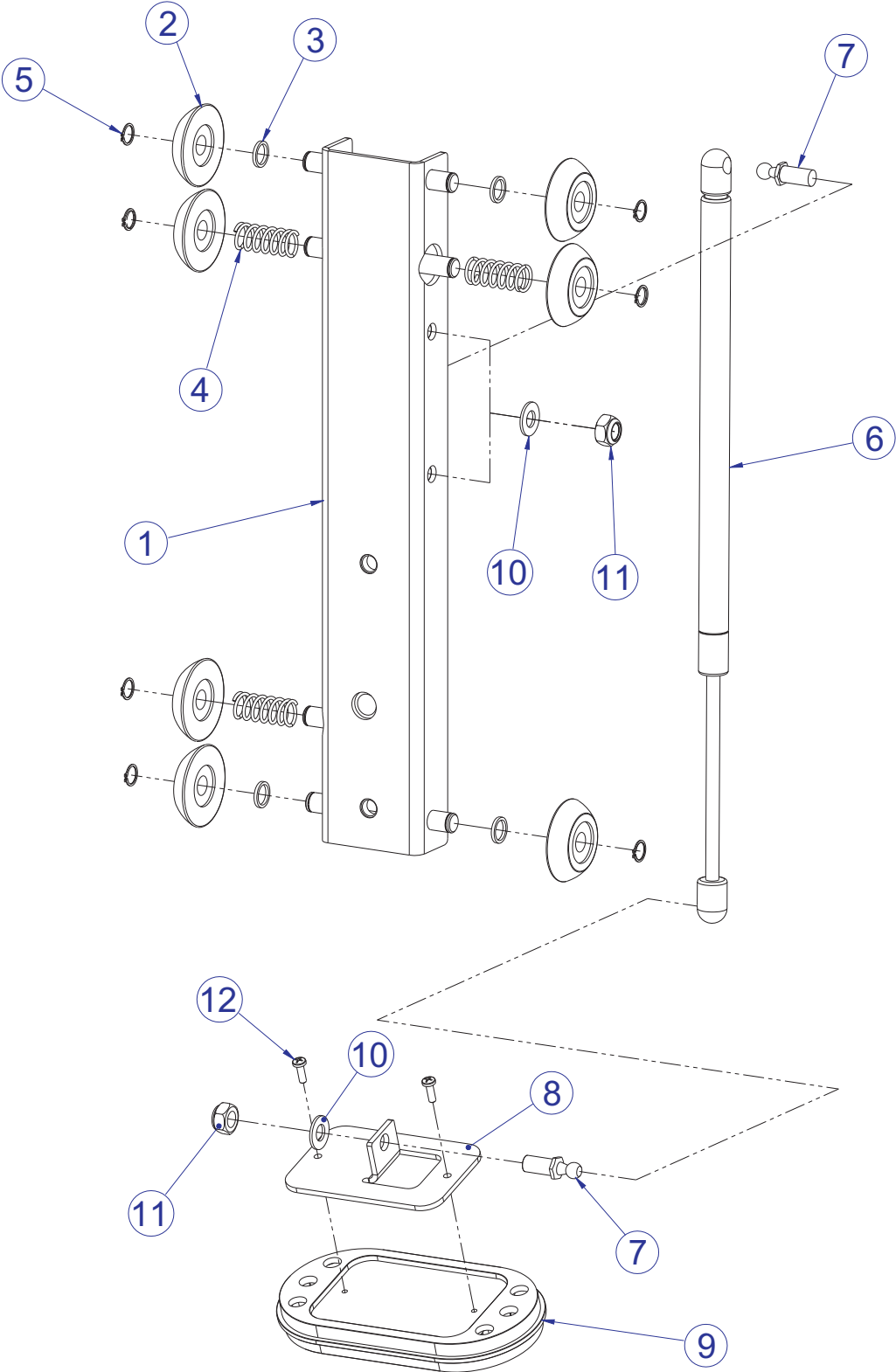


SEE PAGE 5 FOR LEGEND

FZTP TRICEPS PRESS COMPONENT ASSEMBLY LEGEND

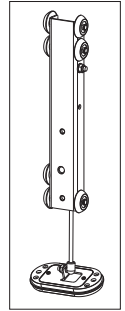
ITEM NO.	QTY.	PART NO.	DESCRIPTION	32	5	3251204	SCREW, M10 X1.5 X 35MM HEX ST
1	1	7386501	WLDMT, FZTP FRAME	33	5	3236207	SCREW, M10 X1.5 50MM
2	1	7344601	WLDMT, FZTP PRESS ARM	34	3	3236801	NUT, M10 HEX NYLOCK SS
3	1	7360301	WLDMT, SEAT SUPPORT	35	21	3236601	WASHER, 3/8 SAE SS
4	1	7911101	ASSY, SEAT CARRIAGE	36	2	3239101	SCREW, M5X10 PHL PAN TT ST
5	1	7407502	PIN, LINK	37	5	7630101	RETAINER, CM/MJ, PULLEY
6	2	3235601	BEARING, 6205 BALL	38	2	3232401	RING, RETAINING, EXTERNAL
7	1	7316504	SHAFT, 25MM X 8.250	39	1	6757701	CLIP, CABLE 2-7/8 X 1 X 1
8	1	7330005	SPACER, INTERNAL X 6.265	40	6	7335401	NUT, M10 X 1.5 SOCKET HEAD
9	2	7330001	SPACER, INTERNAL X .403	41	1	3239201	SPRING, EXT, .375 X .049 X 2.00
10	1	72971XX	PAD, SEAT SADDLE	42	1	7385203	SPACER, .406 X .750 X .500
11	1	74741XX	PAD, LARGE BACK	43	5	3236201	SCREW, M10 X1.5 20MM
12	1	74743XX	PAD, HEAD REST	44	1	7507301	LABEL, FZTP PLACARD
13	8	8104501	COVER, PULLEY-BOLTED NOTCHED	45	4	3238601	M10X1.5 THREADED INSERT (HEX)
14	2	8094101	COVER, PULLEY-BOLTED PARTIAL	46	1	7420401	ASSY, MID TOWER-14
15	1	7333901	CAP, LARGE FLOV- END	47	2	3236701	WASHER, 3/8" ID X 1.5" OD SS
16	2	7333801	CAP, SMALL FLOV- END	48	1	3236901	NUT, M10 X 1.5 JAM
17	2	7308701	CAP, BEARING HOUSING	49	1	7564501	PIN, FZ/PS, WEIGHT PLATE
18	1	7334001	FOOT, 2.50 X 4.49 FLOV	50	1	3243901	RING, BRE M11, ST, PP
19	1	7340201	COVER, FOOT - STRAIGHT	51	1	7524501	LABEL, 1-9 STRAIGHT
20	1	7419701	COVER, FOOT 10 DEG	52	1	7571301	LABEL, SERIAL NUMBER
21	2	7317901	STOP, BUMPER	53	1	7422003	LABEL, MOVING PARTS
22	2	7412301	ASSY, TRICEPS HANDLE	54	1	7422004	LABEL, 2" ASTM WARN
23	1	7423605	CABLE, FZTP	55	2	7326201	CAP, D-TUBE - TOP
24	1	3237901	ROD END, METRIC FEMALE	56	8	3251202	SCREW, M10 X1.5 X 25MM HEX ST
25	1	3236902	NUT, M16 X 2 HEX JAM SS	57	1	7507401	LABEL, FZTP LOGO
26	4	7662802	RING, GRIP 1.50 OD	58	1	7776501	SHAFT, .625 X .406 X 1.200
27	1	7425295	BRKT, SEAT INDICATOR	59	1	3236208	SCREW, M10 X1.5 55MM
28	5	3237403	PLUG, 1" HOLE	60	2	7776401	SPACER, FLANGE .406 X .495 X .81
29	4	3104903	1.00" ID 1.25" OD BRONZ BUSHING	61	1	7778001	ASSY, FZ ADJUSTER HANDLE
30	7	3237801	PULLEY, 4.5" OD	62	4	3254703	NUT, M10 X 1.5 HEX ZINC
31	9	3236202	SCREW, M10 X1.5 25MM	63	2	3236206	SCREW, M10 X1.5 45MM

FZTP TRICEPS PRESS SEAT CARRIAGE ASSEMBLY - 7911101



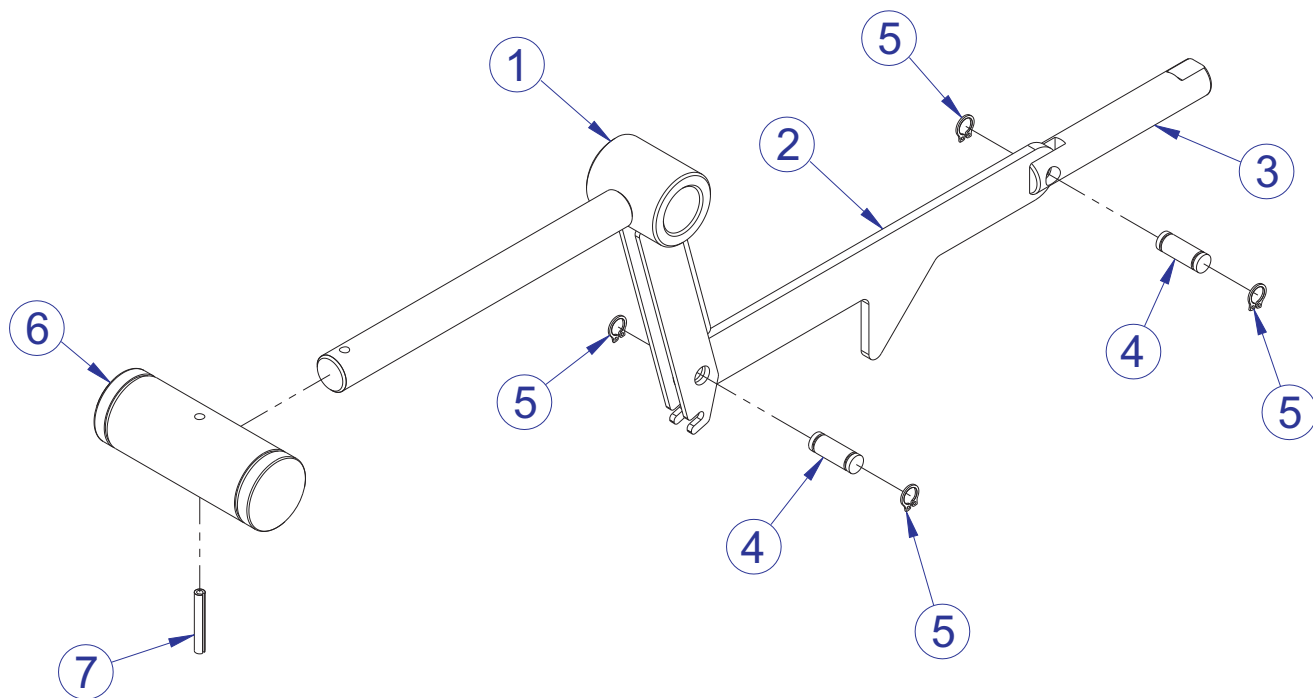
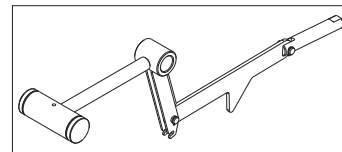
SEE PAGE 7 FOR LEGEND

FZTP TRICEPS PRESS SEAT CARRIAGE ASSEMBLY LEGEND



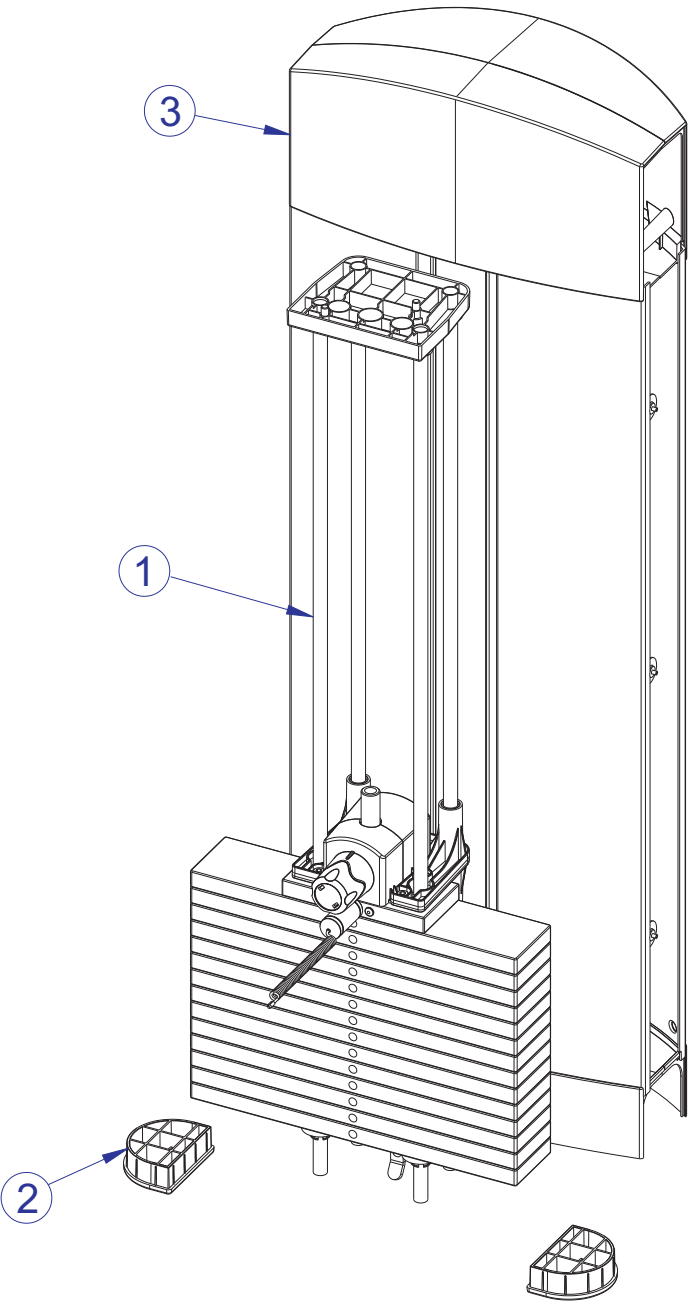
ITEM NO.	QTY.	PART NO.	DESCRIPTION
1	1	7911295	WLDMT, SEAT CARRIAGE SHDW GRAY
2	7	7889701	ROLLER, SEAT CARRIAGE
3	4	7911901	SPACER, .625 DIA X 16 GA.
4	3	7912001	SPRING, SEAT CARRIAGE
5	7	3232408	RING, BRE .443, 5100-46, ST,PP,B
6	1	3235700	SPRING, GAS 80N
7	2	7414301	STUD, M10 BALL END M10 X 1.5
8	1	7339401	BRACKET, GAS SPRING
9	1	7334001	FOOT, 2.50 X 4.49 FLOV
10	2	3236601	WASHER, 3/8 SAE SS
11	2	3236801	NUT, M10 HEX NYLOCK SS
12	2	3241201	M4 PHL PAN F ST ZN

FZTP TRICEPS PRESS ADJUSTER HANDLE ASSEMBLY - 7778001



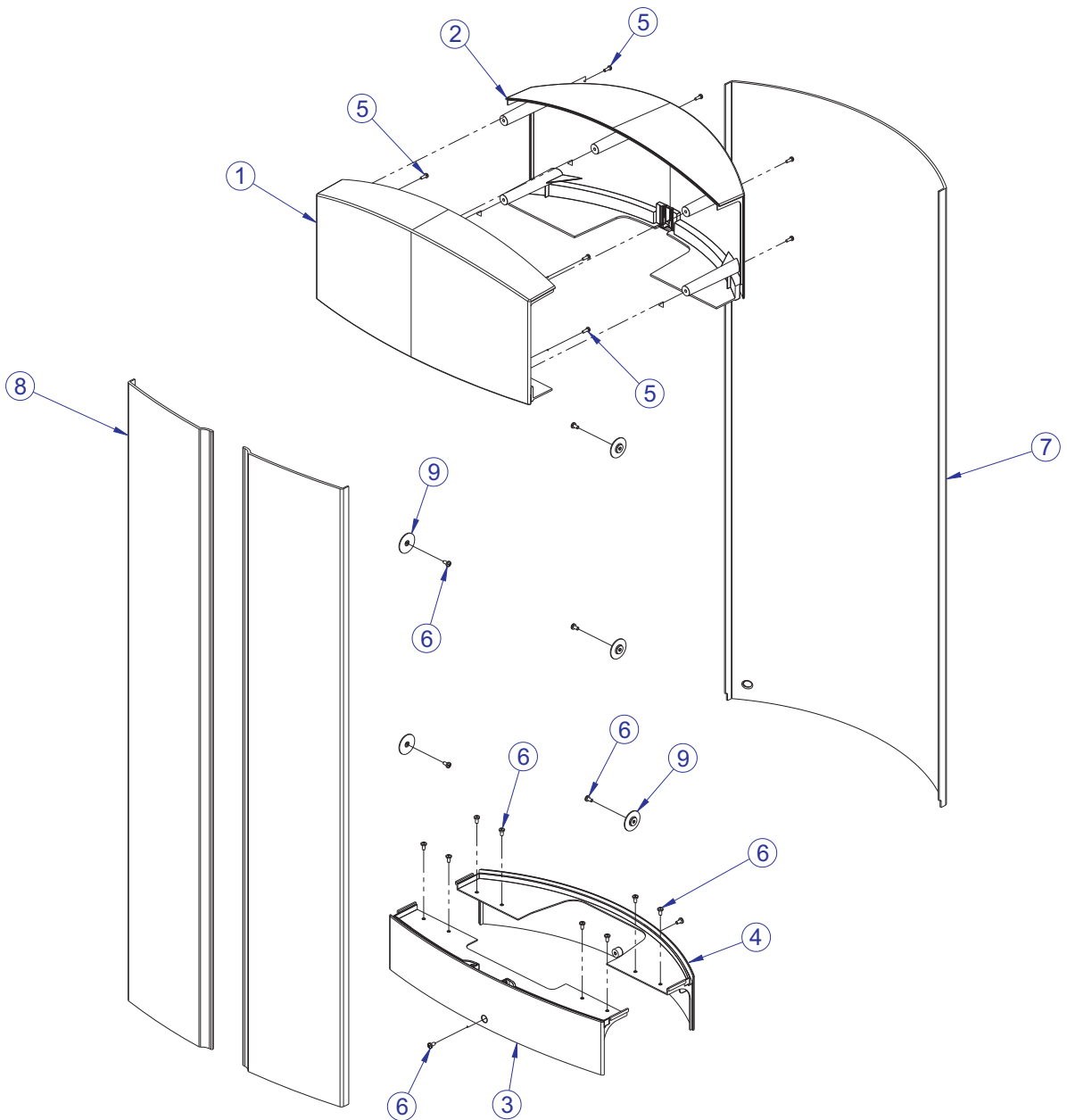
ITEM NO.	QTY.	PART NO.	DESCRIPTION
1	1	7777595	WLDMT, FZ SEAT ADJ HANDLE SHADOW GRAY
2	1	7331801	LINK, ADJUSTER
3	1	7331601	PIN, INDEX
4	2	7407501	PIN, LINK
5	4	3232401	RING, RETAINING, EXTERNAL
6	1	7287901	HANDLE, ADJUSTER
7	1	3110010	ROLL PIN, 1/8 X 7/8

FZTP TRICEPS PRESS MID-14 TOWER ASSEMBLY - 7420401



ITEM NO.	QTY.	PART NO.	DESCRIPTION
1	1	7420101	ASSY, WEIGHT STACK MID-14
2	2	7326301	CAP, D-TUBE-BTM
3	1	7419801	ASSY, TOWER PLASTICS-MID

FZTP TRICEPS PRESS PLASTIC TOWER ASSEMBLY - 7419801

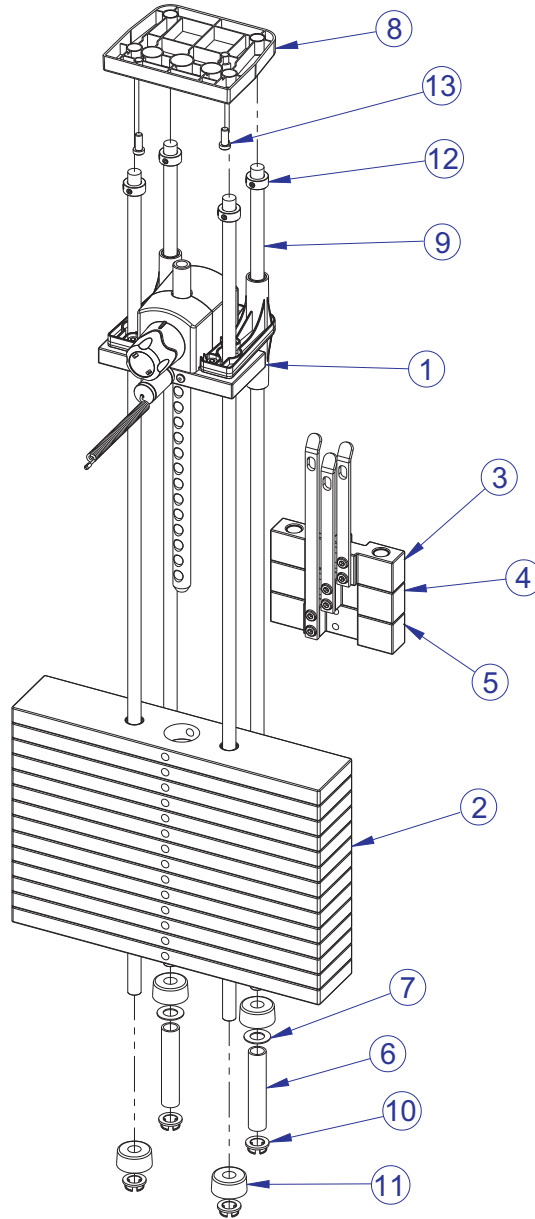


ITEM NO.	QTY.	PART NO.	DESCRIPTION
1	1	7318601	COVER, TOWER- TOP FRONT
2	1	7318701	COVER, TOWER- TOP REAR
3	1	7318801	COVER, TOWER- BOTTOM FRONT
4	1	7318901	COVER, TOWER- BOTTOM REAR
5	9	3236501	M4 X 0.7 PHL PAN MS ST ZN
6	16	3239101	SCREW, M5X10 PHL PAN TT ST
7	1	7765701	SHROUD, TOWER- REAR SHORT
8	2	7765601	SHROUD, TOWER- FRT SHORT RH
9	6	7583501	RETAINER, FZ SHROUD

FZTP TRICEPS PRESS MID-14 WEIGHT STACK ASSEMBLY - 7420101

WEIGHT STACK LABELS

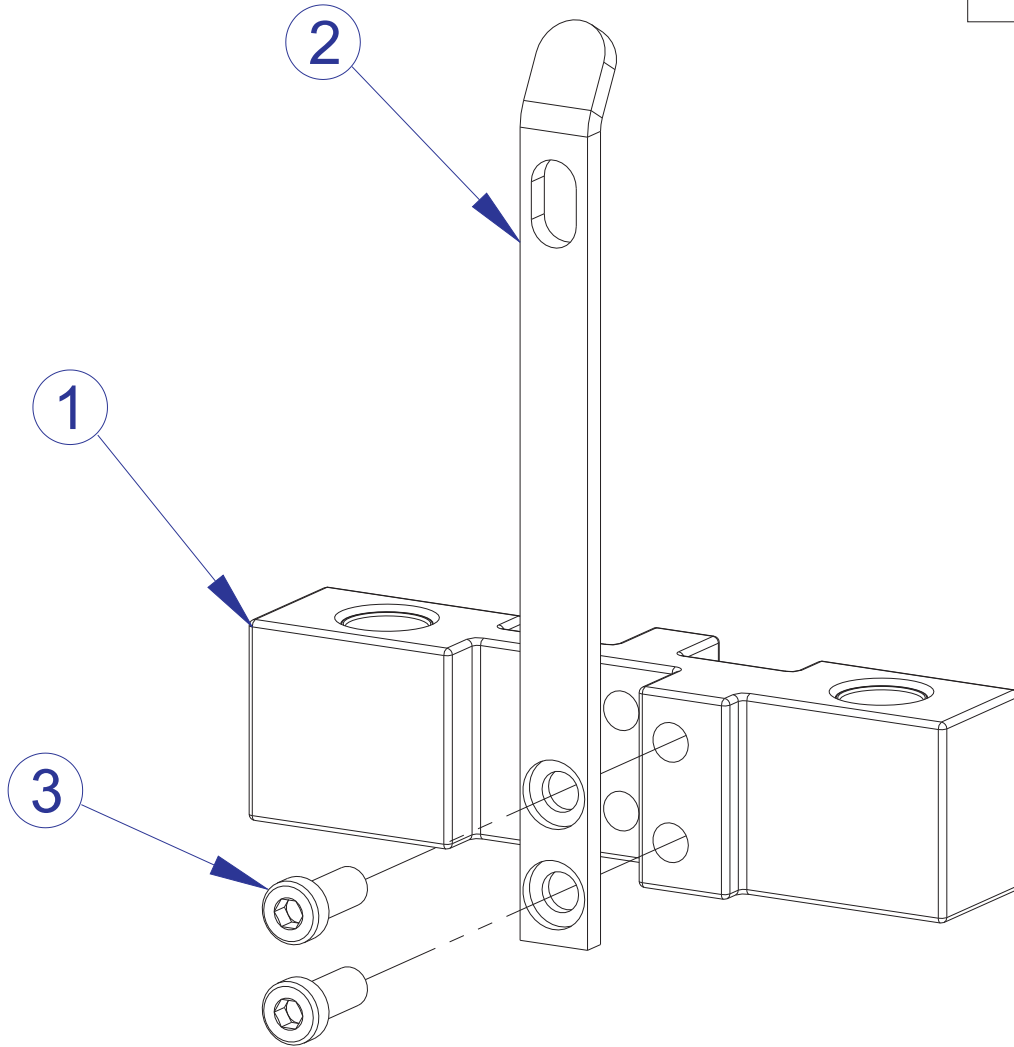
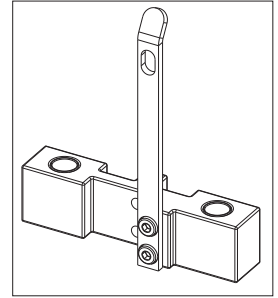
7927201	LABEL, 390 LB STACK
7927301	LABEL, 195 KG STACK



ITEM NO.	QTY.	PART NO.	DESCRIPTION
1	1	7350701	ASSY, HEAD PLATE (14)
2	14	7328401	WEIGHT PLATE, 20 LB
3	1	7327601	ASSY, INCREMENT WT-5LB
4	1	7327701	ASSY, INCREMENT WT-10LB
5	1	7327801	ASSY, INCREMENT WT-15LB
6	2	7328701	SPACER, INC WT STACK 14 PLT
7	2	7351001	SPACER, INC WT STACK
8	1	7621101	RETAINER, GUIDE ROD-TOP
9	4	7328602	GUIDE ROD, .75 OD SOLID X 53.50
10	4	7337901	BUSHING, GUIDE ROD
11	4	7352101	CUSHION, WEIGHT STACK
12	4	3103301	SHAFT COLLAR, 3/4" ID ZINC
13	2	3236202	M10 X 1.5 X 25 HXS SOC CS SS

FZTP TRICEPS PRESS

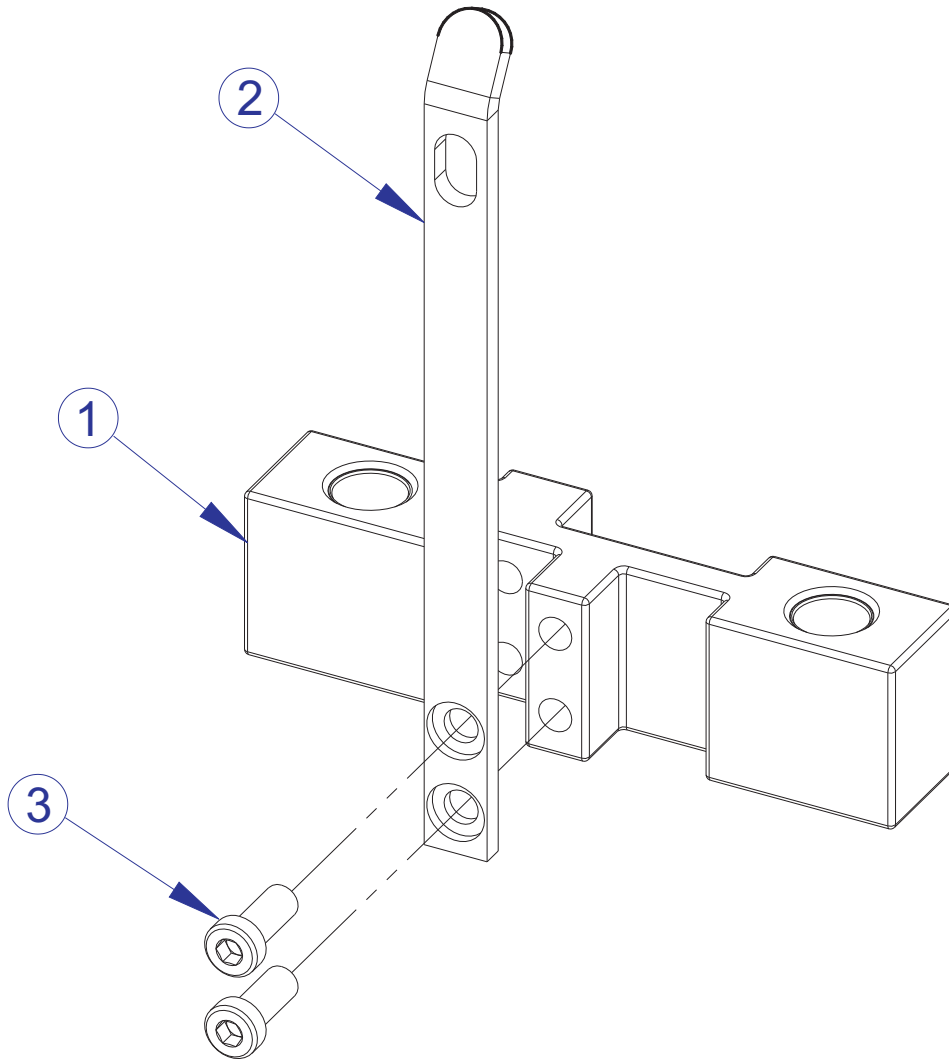
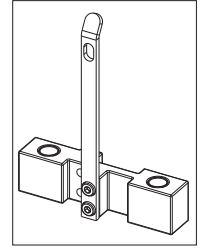
5 LB. INCREMENT WEIGHT ASSEMBLY - 7327601



ITEM NO.	QTY.	PART NO.	DESCRIPTION
1	1	7968501	ASSY, FZ INC WEIGHT 5LB
2	1	7328001	BRKT, INCREMENT WT - 5 LB
3	2	3236202	SCREW, M10 X1.5 25MM

FZTP TRICEPS PRESS

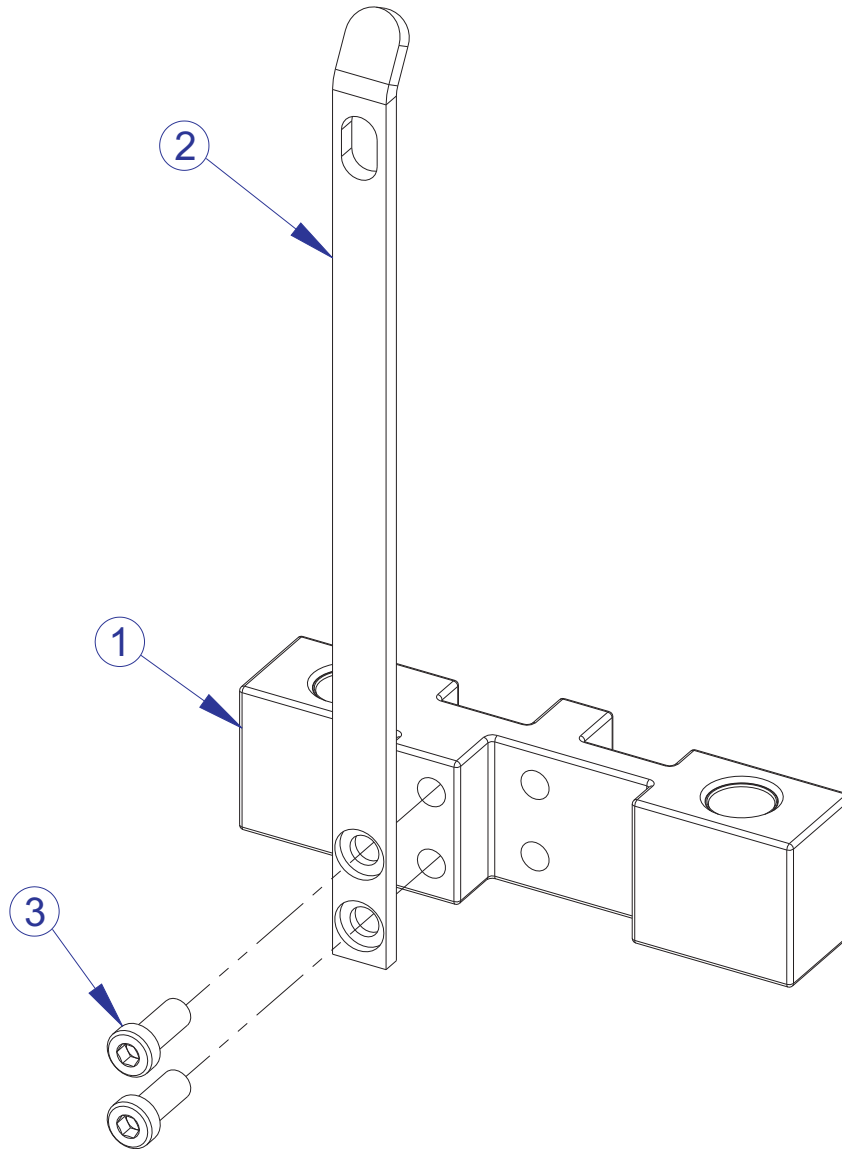
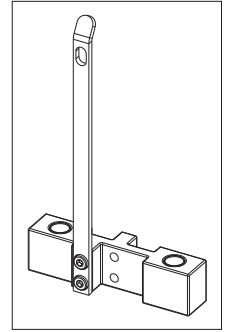
10 LB. INCREMENT WEIGHT ASSEMBLY - 7327701



ITEM NO.	QTY.	PART NO.	DESCRIPTION
1	1	7968501	ASSY, FZ INC WEIGHT 5LB
2	1	7328101	BRKT, INCREMENT WT - 10 LB
3	2	3236202	SCREW, M10 X1.5 25MM

FZTP TRICEPS PRESS

15 LB. INCREMENT WEIGHT ASSEMBLY - 7327801

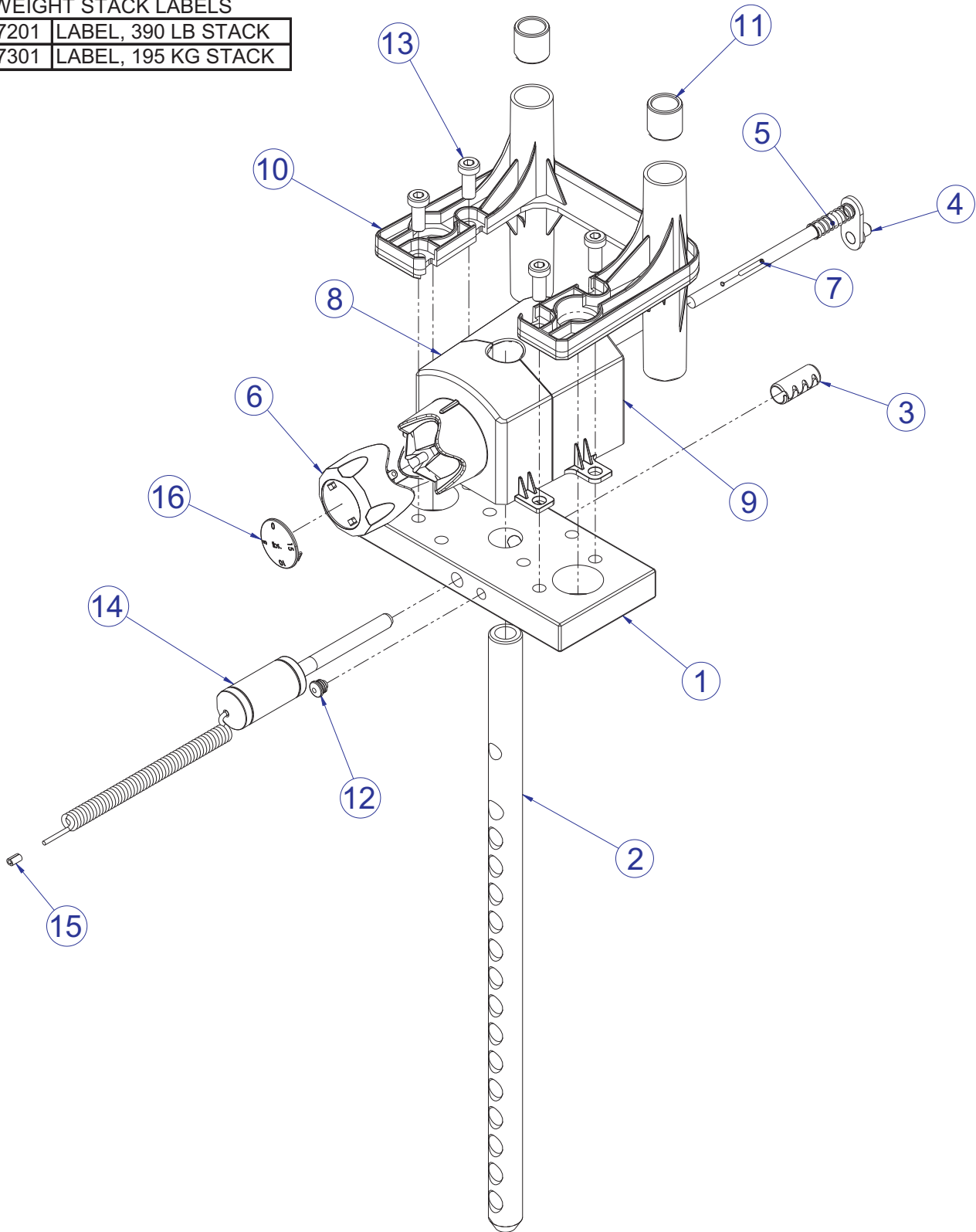


ITEM NO.	QTY.	PART NO.	DESCRIPTION
1	1	7968501	ASSY, FZ INC WEIGHT 5LB
2	1	7328201	BRKT, INCREMENT WT - 15 LB
3	2	3236202	SCREW, M10 X1.5 25MM

FZTP TRICEPS PRESS HEAD PLATE ASSEMBLY - 7350701

WEIGHT STACK LABELS

7927201	LABEL, 390 LB STACK
7927301	LABEL, 195 KG STACK



SEE PAGE 16 FOR LEGEND

FZTP TRICEPS PRESS

HEAD PLATE ASSEMBLY LEGEND

ITEM NO.	QTY.	PART NO.	DESCRIPTION
1	1	7326701	HEAD PLATE
2	1	7347801	STEM, 9 PLATE
3	1	3236001	BUSHING, SPRING PIN
4	1	7327201	WLDMT, INCREMENT WT PIN
5	1	8024501	SPRING, 1/2 OD X 1-1/2
6	1	7326101	KNOB, INC WT SELECTOR
7	1	3110008	ROLL PIN, 1/8 X 1-1/4
8	1	7326401	HOUSING, SELECTOR - FRONT
9	1	7326501	HOUSING, SELECTOR - REAR
10	1	7362101	STABILIZER, HEAD PLATE
11	4	7459601	BUSHING, HEAD PLT STABILIZER
12	1	7356501	PLUG, LANYARD ATTACHMENT
13	4	3236202	SCREW, M10 X1.5 25MM
14	1	7338101	ASSY, WT STACK SELECTOR PIN
15	1	7523601	CRIMP, CABLE
16	1	7398601	CAP, SELECTOR KNOB, LBS
	OR		
	1	7398701	CAP, SELECTOR KNOB, KG

FZTP TRICEPS PRESS IMAGE

